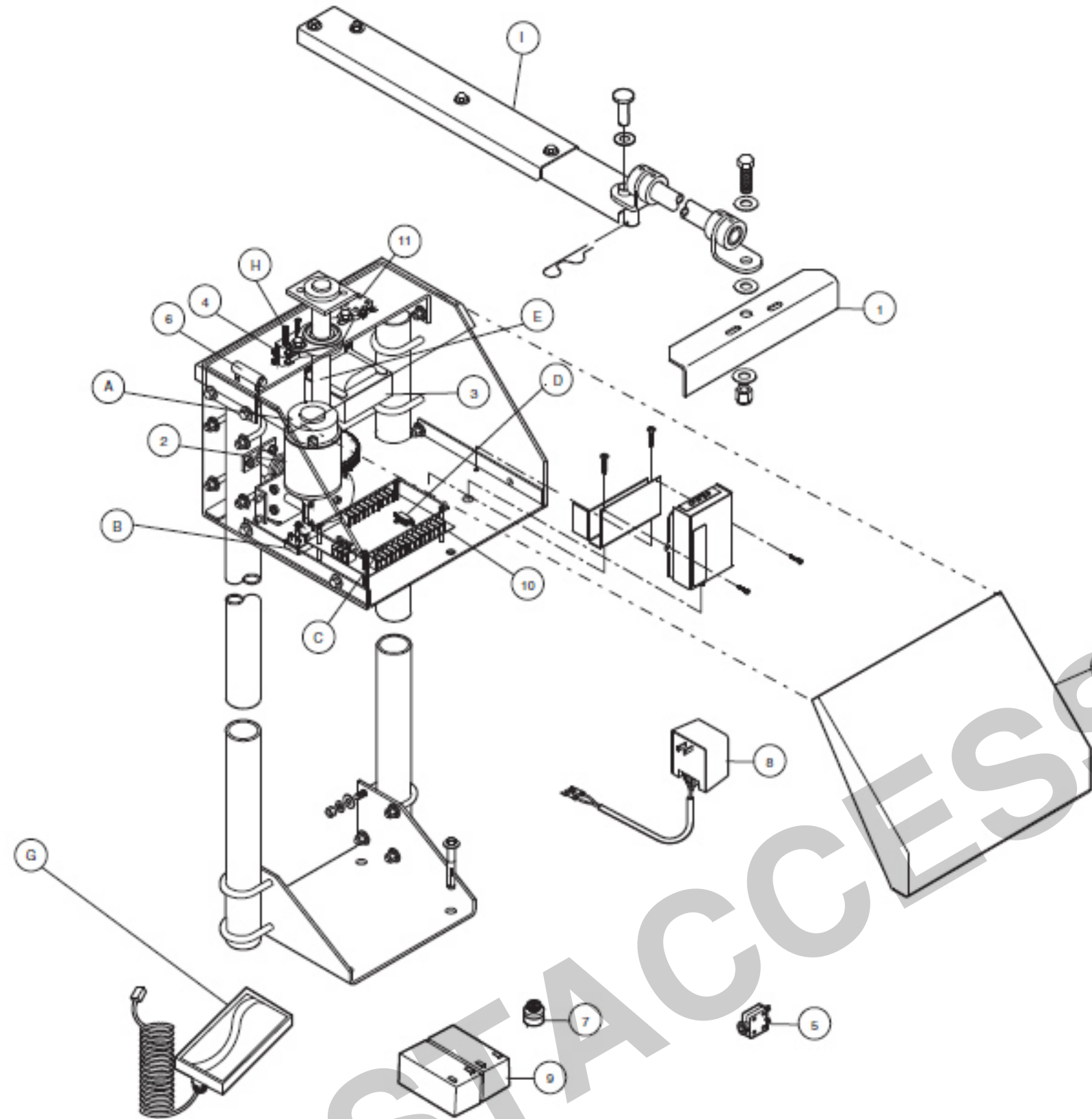


## ILLUSTRATED PARTS



## REPAIR PARTS

Refer to the parts lists below for replacement parts available for your operator. If optional modifications and/or accessories are included with your operator, certain components may be added or removed from these lists. Please consult a parts and service representative regarding availability of individual components.

### SERVICE KITS

ITEM	PART#	DESCRIPTION
A	K75-40147	Motor Reducer Assembly Complete with: Gear Set, Motor Mount Bracket, Bearing Plate, Flange Bearing 7/16" ID, 12VDC Motor, 7 Amp Motor Breaker, Motor Standoffs 3.813, Bolts 1/4-20X5/8", Hex Bolts 5/16-18X3/4, Phillips Screws #1/4-20 X 5/8", Hex Head Cap Screws M6-1 X 120, Cap Screws M6 X 16, Flange Nuts 1/4-20, Flatwashers 1/4, Flatwashers 5/16, Lockwashers 1/4 and Roll Pin 1/4"x1-1/2".
B	K74-40084	Bridge Rectifier Assembly Complete with: Cap Rectifier, Bridge Rectifier, Phillips Screw #6-32x1" and Flange Nut 6-32.
C	K74-40045	Control Board Guard and Standoff Kit Complete with: Guard, Jumpers, Hex Standoffs 6-32x1" M/F, Hex Standoffs 6-32x1/2" F/F, Phillips Screws #6-32x1/4" and Phillips Screws #6-32x3/8".
D	K74-40065	External Resistor Service Kit Complete with: External Current Resistor, Shrink Wrap 1", Phillips Screws #2-56x1/2", Lock Nuts #2-56, 8" Green Wire and 8" Yellow Wire.
E	K72-40146	Drive Shaft Assembly Complete with: Drive Shaft, Gear Set, Friction Plate, Self Aligning Pillow Block Bearings, Set Screw Collars 1", Button Screws 5/16-18x1/2", Hex Bolts 3/8-16x1", Hex Nuts 3/8-16, Flatwashers 3/8, Lockwashers 3/9 and Roll Pin 3/16"x3/4".
F	K74-40141	Operator Cover Service Kit Complete with: Cover, Label, Socket Screw 3/8-16x1", Flatwasher 3/8" and Plastic Washer 5/16.
G	K74-40031	Solar Panel Service Kit Complete with: Solar Bracket, Solar Panel, Modular Connect SP White, Modular Connect SP Yellow, Phillips Screws #8-32x5/8", Phillips Screws #1/4-20x5/8", Flange Nuts 8-32, Flange Nuts 1/4-20.
H	K74-40151	Limit Switch Service Kit Complete with: SPDT Limit Switches, Hex Standoffs #6-32x1-1/4" FF, Phillips Screws #6-32x1-1/2", Phillips Screws #6-32x1/2" and Flatwashers #6.
I	K75-40132	Primary and Secondary Arm Service Kit Complete with: Outer Primary Arm, Inner Primary Arm, Swivel Hex Bolts 3/8-16x1", Hex Bolt 1/2-13x1-1/2", Locknut 1/2-13, Hex Nuts 3/8-16, Flatwashers 3/8, Flatwashers 1/2", Lockwashers 3/9, Galvanized Coupling 3/4".

### INDIVIDUAL PARTS

ITEM	PART#	DESCRIPTION
1	10-40137	Gate Bracket
2	20-40155	Motor, 12VDC
3	21-40074	Transformer, 120V 60HV
4	23-40161	Limit Switch, SPDT
5	25-40083	Overload 1.5 Amp
6	29-40071	Resistor, 1 OHM, 25W OHMITE
7	29-40089	Sonalert Piezo Alarm
8	29-40095	Battery Charger, 12V.5A Dual Stg.
9	29-NP712	Battery, 12V 7AH
10	K79-40056	Control Board, Full System
11	25-40152	Motor breaker 7 Amp

### NOT SHOWN

K79-40098	Control Board, Solar
13-10465	Limit Collar