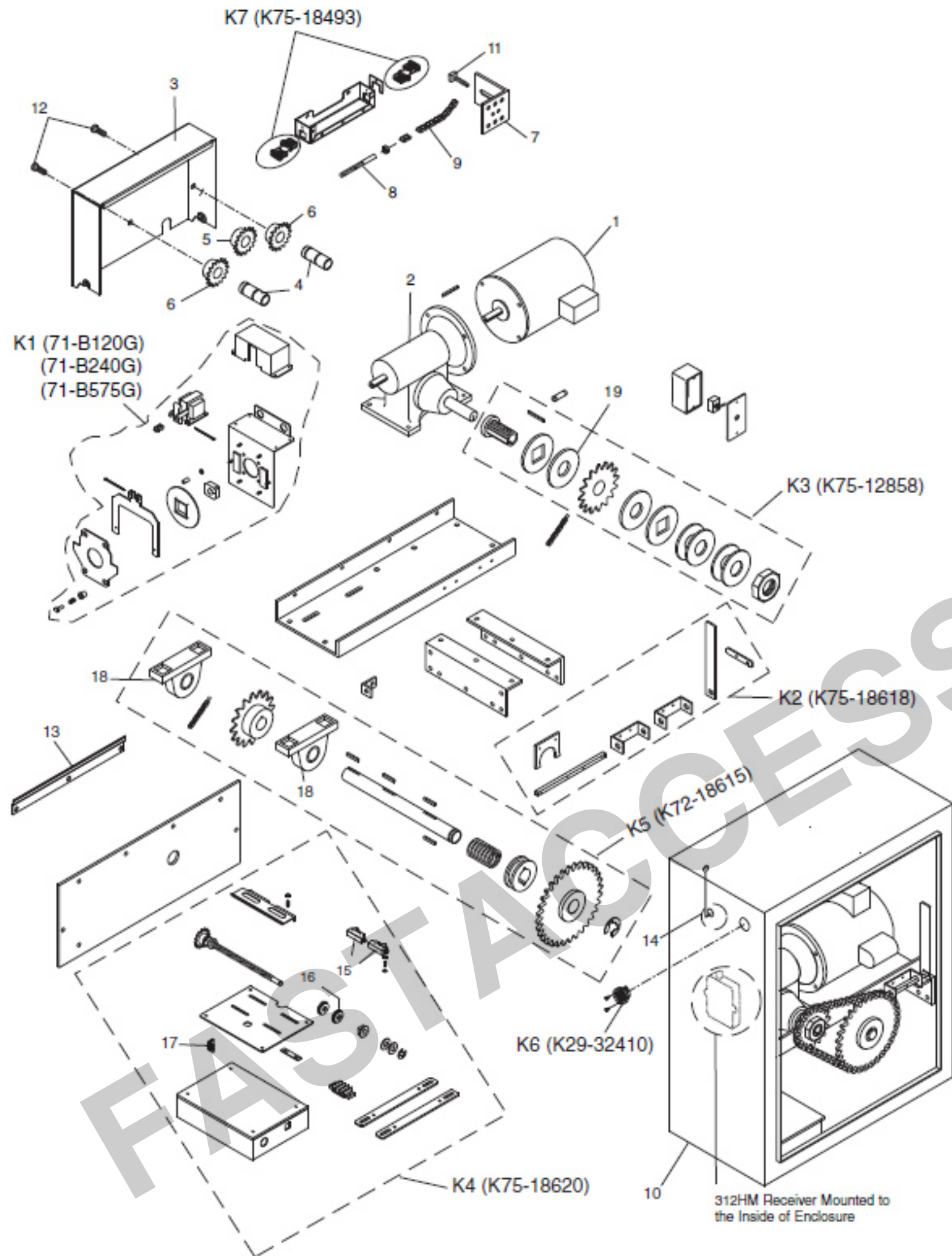


## ILLUSTRATED PARTS - MODEL 595

### SL595 ILLUSTRATED PARTS



## REPAIR PARTS - MODEL SL595

### INDIVIDUAL PARTS

ITEM	PART #	DESCRIPTION
1	K20-1050C-2P	Motor - models SL595-50-11, SL595-50-21, SL595-50-81
	K20-3050C-4P	Motor - models SL595-50-23, SL595-50-43, SL595-50-83
	K20-3050M-5	Motor - model SL595-50-53
	K20-1100C-2P	Motor - models SL595-100-11, SL595-100-21, SL595-100-81
	K20-3100C-4P	Motor - models SL595-100-23, SL595-100-43, SL595-100-83
	K20-3100M-5	Motor - model SL595-100-53
	K20-3200C-5	Motor - model SL595-200-53
	K20-1150C-2P	Motor - models SL595-150-21, SL595-150-11
2	32-10540	Gear reducer (20:1)
3	10-30702	Chain guard
4	11-3602	Idler shaft
5	15-3619	Sprocket 50B19 1-1/4" X 1/4"
6	305-153613	Idler sprocket
7	10-3209	Gate bracket
8	11-3503	Take-up bolt
9	19-3025	Chain #50, nickel plated - 25'
10	44-18491	Enclosure
11	82-QN43-12	Sq hd ss 7/16-14" X 3/4"
12	91-G0149	Idler bolt w/ zirc fitting
13	10-30699	Bracket mounting
14	K1C3196-3	Antenna
15	23-2016	Limit switch
16	13-10024	Limit nut
17	K74-G0589	RPM sensor (Hall effect) kit
18	12-3601	Pillowblock bearing
19	39-10541	Clutch disk
	<b>NOT SHOWN</b>	
	23-34815	Stop/Reset button - located on enclosure door

### SERVICE KITS

ITEM	PART #	DESCRIPTION
K1	71-B120G 71-B240G 71-B575	Brake kit - 115 Volt models Brake kit - 230/460 Volt models Brake kit - 575 Volt models Complete with: Brake hub kit, brake release lever, brake disk, spring cup, studs, compression springs, brake solenoid, solenoid cover, spacers, mounting plate and pressure plate.
K2	K75-18618	Disconnect kit Complete with: Disconnect support bracket, detent plate, disconnect lever, release yoke bevel and disconnect shaft.
K3	K75-12858	Clutch kit Complete with: Clutch, pressure plate, torque limiter sprocket assembly, bell washer 3" ODX 1-1/2", nut 1-1/2" hex jam, clutch disc and 1/4 X 1-1/2 key.
K4	K75-18620	Limit box kit Complete with: Limit switch box, lid for cover, panel, adjustment plate, mounting bracket, limit shaft bearing, compression spring, spacer, nut, terminal block, RPM sensor (Hall effect) kit, Tinnerman nut double and e-ring.
K5	K72-18615	Drive shaft kit Complete with: Disconnect bushing, drive shaft, pillow block bearing, sprocket, disconnect spring, chain, disconnect key and e-ring.
K6	K29-32410	Alarm kit Complete with: Alarm, spacer and faston.
K7	K75-18493	Chain guide kit
	<b>NOT SHOWN</b>	
	71-6532449	Heater kits (Optional) - 115/575V Operators
	71-6532448	Heater kits (Optional) - 208/230/460V Operators
	K50-18423	Replacement heater with thermostat only