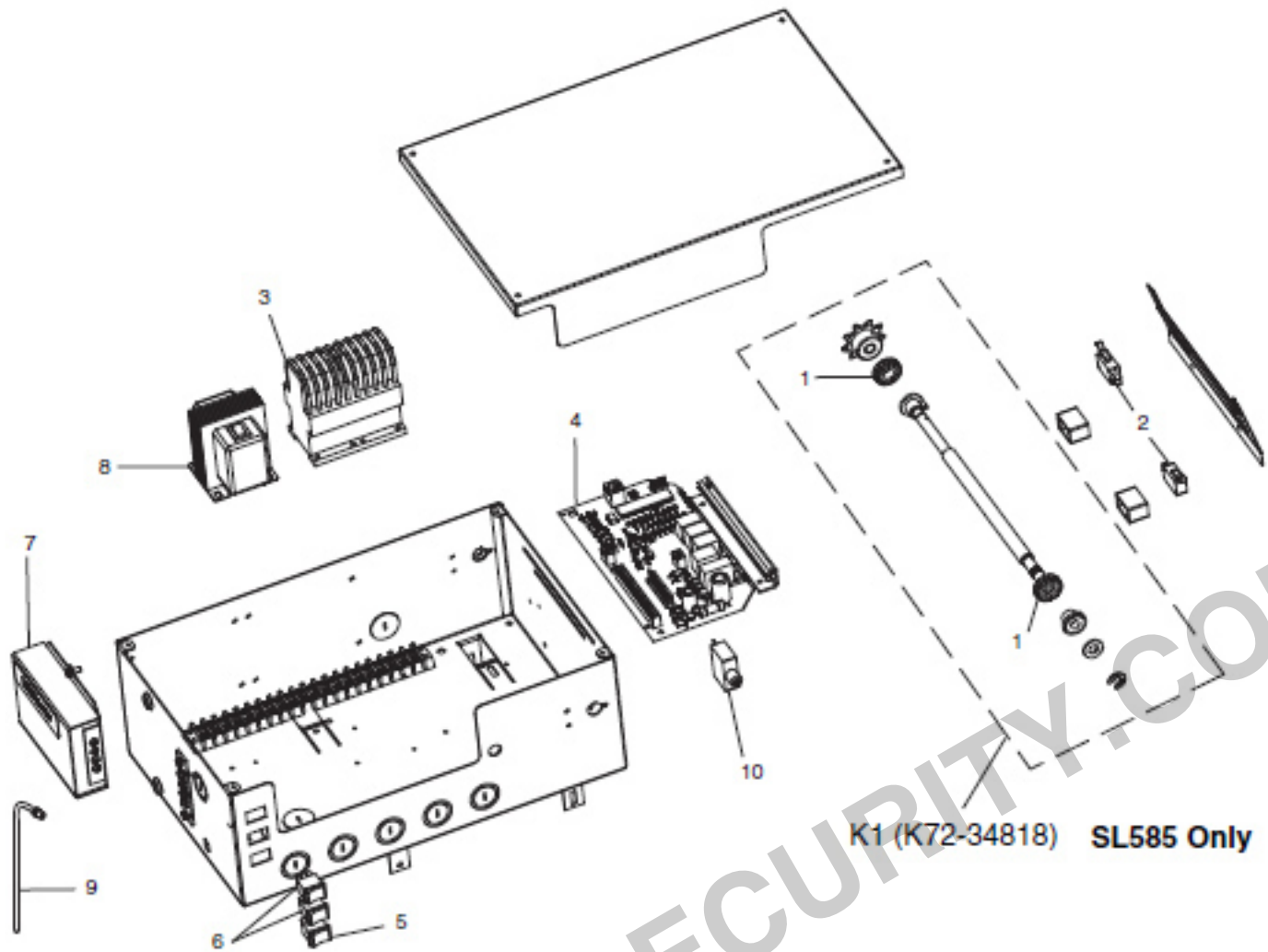


ELECTRICAL BOX



K1 (K72-34818) SL585 Only

INDIVIDUAL PARTS

ITEM	PART #	DESCRIPTION
1	13-10024	Limit nut
2	23-10041	Limit switch (SL585 only)
3	03-8024-K	Contactor
4	K001A5566	Control board
5	23-30716	Stop switch
6	23-34815	Open/close switch
7	312HM	Radio - 315 MHz
8	21-3260-1	Transformer - 120/208/230/460/60VA
	21-10298-1	Transformer - 575Vac/100VA
9	K1C3196-3	Antenna
VARIABLE PARTS		
10	25-2006	Overload - 6 AMP - SL585-50-21, SL585-50-81, SL595-50-21, & SL595-50-81
	25-2008	Overload - 8 AMP - SL585-100-21, SL585-100-81, SL595-100-21, & SL595-100-81
	25-2010	Overload - 10 AMP - SL585-50-11, SL595-50-11, SL585-150-21 & SL595-150-21
	25-2015	Overload - 15 AMP - SL585-100-11, SL595-100-11
	25-2025	Overload - 25 AMP - SL585-150-11, SL595-150-11

INDIVIDUAL PARTS

ITEM	PART #	DESCRIPTION
	25-4002-5K	Overload - 1.8 to 2.6 AMP - SL585-100-53, SL595-100-53
	25-4003-K	Overload - 2.6 to 3.7 AMP - SL595-200-53
		NOT SHOWN
	K74-18379	RPM Sensor (Hall effect)

SERVICE KITS

ITEM	PART #	DESCRIPTION
K1	K72-34818	Limit shaft kit (SL585 only) Complete with: Limit shaft, limit nuts, limit bearings, limit sprocket, shim washers, compression ring, roll pin and e-ring.

*Non stocked item. Please allow additional delivery time.